

AT8658

GENUINE
ACCESSORIES

MICROPHONE SHOCK MOUNT



DESCRIPTION

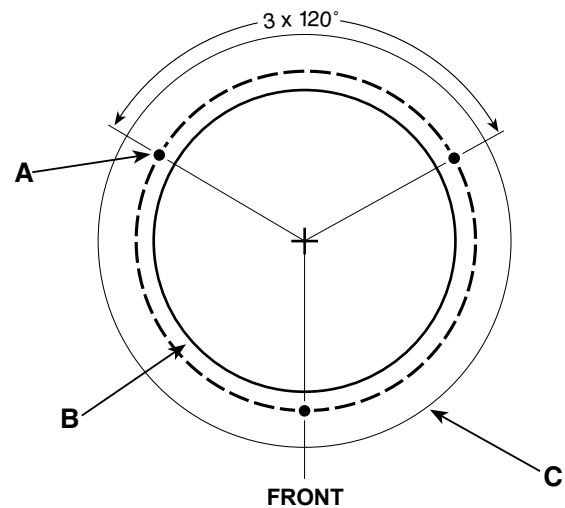
These Audio-Technica shock mount plates effectively isolate mounted microphones from impact vibration and mechanical noise normally transmitted from the surface. They are intended for use with microphones stood on lecterns, pulpits, conference tables and similar surfaces. Ideal for use with 19mm diameter gooseneck and quick-mount type microphone using industrial standard XLRM 3-pin type connectors.

COMPATIBLE MICROPHONES

Engineered Sound® Series	ES915/C	ES915/H	ES915/ML
	ES917/C	ES917/H	ES917/ML
	ES917S/C	ES917S/H	ES917S/ML
	ES935/C	ES935/H	ES935/ML
	ES935S/C	ES935S/H	ES935S/ML
	ES937/C	ES937/H	ES937/ML
	ES938/C	ES938/H	ES938/ML
	UniPoint® Series	AT859QMLa	
U857Q		U857QU	
U857QM		U857QMU	
U857QL		U857QLU	
U857QSU			
U859QL			

INSTALLATION

1. Locate the center of the mounting location and mark it. **Allow enough clearance to accommodate the shock mount's flange on the desired surface and make certain there are no physical obstructions below the desired location.**
2. Using a 57mm hole saw, drill the large through-hole for the shock mount.
3. Set the shock mount into the hole and mark the location of the three mounting screw holes. **Make certain to "center" the mount in the large hole before marking the three small mounting screw locations.**
4. Using a 1.5mm drill bit, drill three pilot holes for the mounting screws.
5. After installing the microphone, assure maximum shock mount effectiveness by providing some slack in the connecting cable.



MOUNTING DIMENSIONS

- A 1.5 mm pilot holes 3 places on 64mm circle.
- B 57 mm thru-hole for mount clearance.
- C Outside edge of flange, 78 mm diameter.

 **audio-technica**
Machida • Tokyo • Japan

桌面式防震话筒座



说明

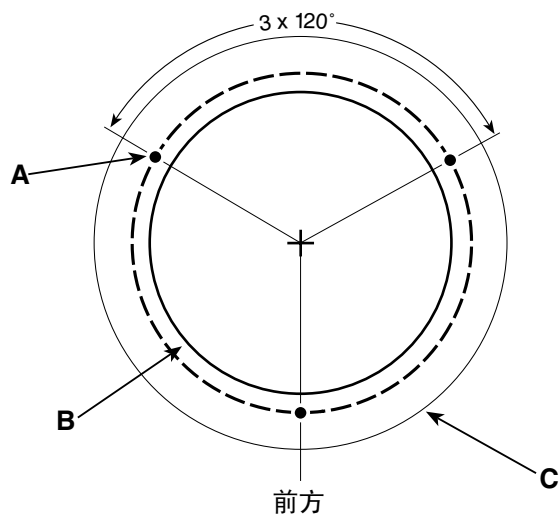
此鐵三角桌面防震话筒座，设有防震绝缘胶，能有效减低安装面上的撞击震动及机械噪声。此话筒座配合19mm直径鹅颈式3针卡农公头的会议话筒后，非常适合使用在演讲、教学、会议、报导的场合使用。

兼容话筒型号

Engineered Sound® 系列	ES915/C	ES915/H	ES915/ML	
	ES917/C	ES917/H	ES917/ML	
	ES917S/C	ES917S/H	ES917S/ML	
	ES935/C	ES935/H	ES935/ML	
	ES935S/C	ES935S/H	ES935S/ML	
	ES937/C	ES937/H	ES937/ML	
	ES938/C	ES938/H	ES938/ML	
	UniPoint® 系列	AT859QMLa		
		U857Q	U857QU	
U857QM		U857QMU		
U857QL		U857QLU		
U857QSU				
U859QL				

安装

1. 定下和标记出话筒座的安装位置中心点。需预留足够空间给话筒座的凸缘外边，并确定在该位置上没有实质的阻碍。
2. 使用一个直径 57mm 的开孔器，开出一个足够把话筒座套下的通孔。
3. 把话筒座套下於通孔中，并标记出3个螺丝孔的位置。在标记3个螺丝孔前，请确定话筒座是放置于“中心”点中。
4. 使用直径 1.5mm 的小钻咀，在3个螺丝孔位置上钻下3个导孔，再装上3枚螺丝把话筒座固定。
5. 话筒座安装好後，把话筒套在防震圈的中央，并预留足够的连接线松弛度，以提供有效的防震效能。



底座架尺寸

- A 置于直径 64 mm 圆形上的 3 个直径 1.5 mm 导孔。
- B 直径 57 mm 的通孔，可把话筒座套下。
- C 直径 78 mm 的凸缘外边。