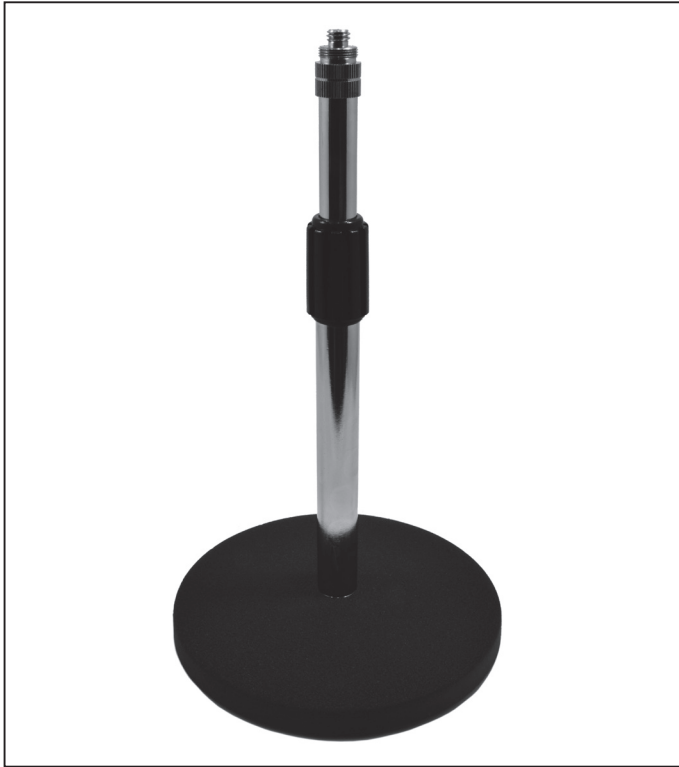


AT8613

GENUINE
ACCESSORIES

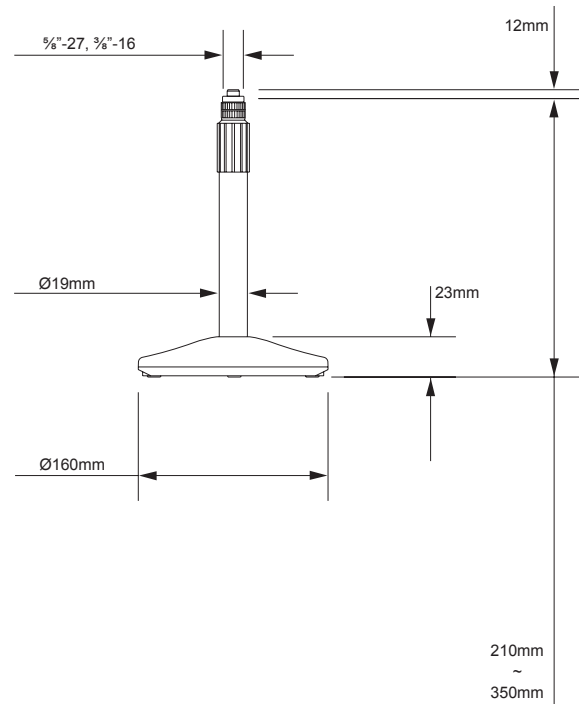
MICROPHONE DESK STAND



MECHANICAL SPECIFICATIONS

| | |
|---------------|--|
| CONSTRUCTION | Massive Cast Iron Base |
| CONNECTORS | $\frac{5}{8}$ "-27 and $\frac{3}{8}$ "-16 two-stage threaded |
| DIMENSIONS | |
| BASE DIAMETER | 160 mm |
| HEIGHT | 210 mm to 350 mm (Adjustable) |
| WEIGHT | 1.14 kg |

DIMENSIONS



DESCRIPTION

The Audio Technica Model AT8613 Microphone Desk Stand has been designed to accommodate most dynamic and condenser microphones now available. The massive cast base with six rubber feet for maximum stability.

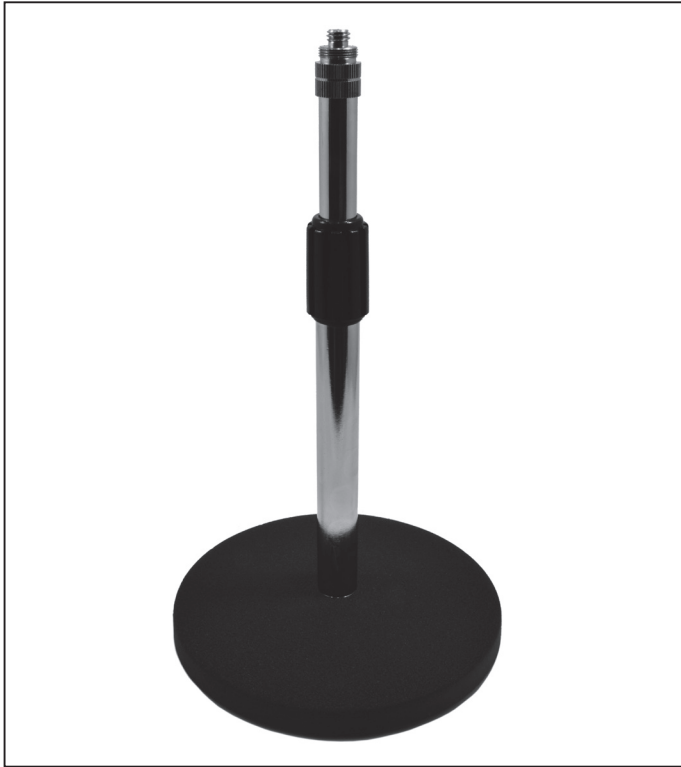
The AT8613 adjustable height desktop stand is useful for most desktop applications, but also works as an amplifier or kick drum microphone stand. The AT8613 features a two-stage thread mount ($\frac{5}{8}$ "-27 and $\frac{3}{8}$ "-16) that will accept all standard microphone clamps. Ease adjust the height from 210 to 350mm for podcast and lots of other applications.

 **audio-technica**
Machida • Tokyo • Japan

AT8613

GENUINE
ACCESSORIES

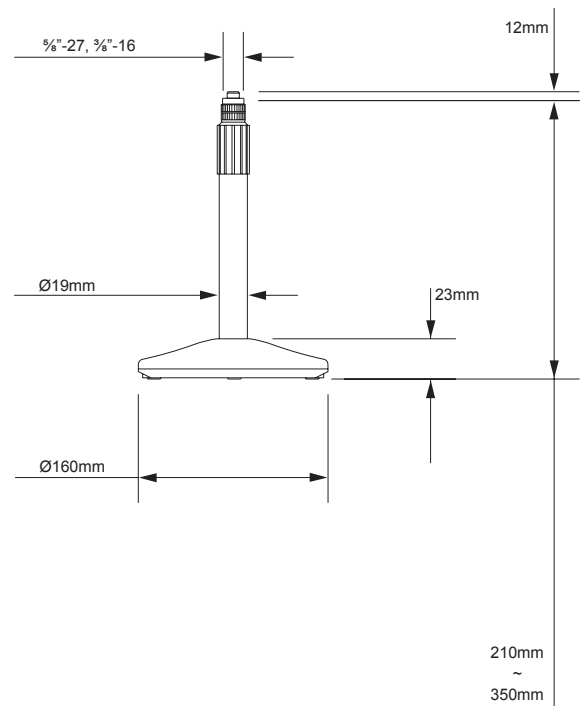
桌面式话筒座



机械指标

| | |
|------|--|
| 结构 | 大型铸铁底座 |
| 连接头 | $\frac{5}{8}$ "-27 及 $\frac{3}{8}$ "-16 双层螺纹接头 |
| 外形尺寸 | 底座直径 - 160 mm 高 - 210 mm 至 350mm |
| 重量 | 1.14 公斤 |

尺寸



说明

此鐵三角AT8613桌面话筒座，可配套於多种动圈和电容话筒使用。宽阔的大型压铸底座，及底部六枚防震橡胶，可保持话筒座的最大稳定度及防止打翻。

AT8613桌面防震话筒座可调节架杆高度，以适合不同的桌面环境使用，更可用于舞台的电结他功放及地鼓的话筒收音需要。AT8613话筒座设有标准 $\frac{5}{8}$ "-27及 $\frac{3}{8}$ "-16双层螺纹接头，适合连接所有的话筒夹或防震架使用。话筒座可轻易调节由210mm至350mm的高度，适合于播客(podcast)及大部份的其他需要。



audio-technica®

Machida • Tokyo • Japan

鐵三角®