



Thank you for purchasing this product. Before using the product, read through the user manual to ensure that you will use the product correctly. Please keep this manual for future reference.

Features

- Surface contact piezo microphone
- Can be used for multi-purpose such as underwater and flat vibration. The piezoelectric sensing device is housed in a waterproof metal case
- Phantom powered with internal preamp for clear sound even with low impedance inputs and long cable connections
- Permanent 25m cable and built-in dedicated power module for microphone
- Aluminum cutting case with corrosion and water resistance, the housing provides sensitive vibration conductivity
- Low profile design, can be installed in small and confined spaces for concealment
- Equipped with mounting holes can be fixed with screws for security

Notes on use

The AT880b is a waterproof Contact Microphone. It is suitable for sound pickup underwater or collecting the sound of objects vibrating from a flat surface.

There is a high-sensitivity piezoelectric sensor inside, which is installed in a sturdy aluminum case with good corrosion resistance and waterproof performance. The aluminum case of the AT880b is thin in design, with a thickness of 10mm. It can be placed in small and narrow spaces for operation and can be fixed and installed with screws.

The microphone is equipped with a 25m long cable, which is convenient for long-distance installation. AT880b has a built-in preamplifier, which can deliver clear signals over long distances, even when using equipment with low-impedance inputs.

The AT880b microphone requires 48V DC phantom power for operation.

Exposure of the microphone to high temperatures may result in a gradual and permanent reduction in output level. Avoid leaving the microphone in the open sun or in areas where temperatures exceed 43°C for extended periods.

Safety precaution

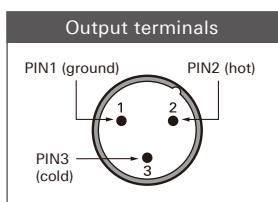
Although this product was designed to be used safely, failing to use it correctly may result in an accident. To ensure safety, observe all warnings and cautions while using the product.

Cautions for the product

- Do not subject the product to strong impact to avoid malfunction.
- Do not disassemble, modify or attempt to repair the product.
- Do not handle the product with wet hands to avoid electric shock or injury.
- Do not store the product under direct sunlight, near heating devices or in a hot place.

Connection procedure

Connect the output terminals of AT880b to a device that has a microphone input (balanced input) compatible with a phantom power supply. The output connector is an XLRM-type with polarity as shown in the figure below.



This product requires 48 V DC phantom power.

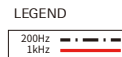
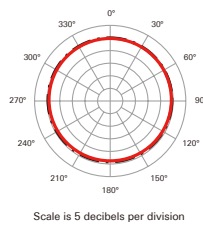
Specifications

Element	Piezo Electric
Polar pattern	Surface contact
Frequency response	20 - 5,000 Hz
Open circuit sensitivity	72mV/G (-22.9dBV/G) at 500Hz
Impedance	108 ohms
Phantom Power Requirements	48V DC, 3.5 mA
Weight	37g (Microphone)
Dimensions	10mm x 53.4mm x 33mm (H x W x D)
Cable	25m long white (permanently attached to microphone)
Output connector	3-pin XLRM type (cable)

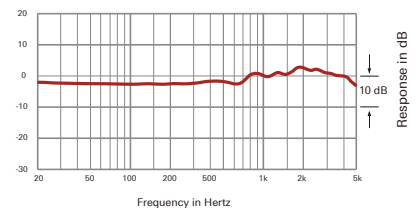
- 1 Pascal = 10 dynes/cm² = 10 microbars = 94 dB SPL
- * Typical, A-weighted, using Audio Precision System One.

For product improvement, the product is subject to modification without notice.

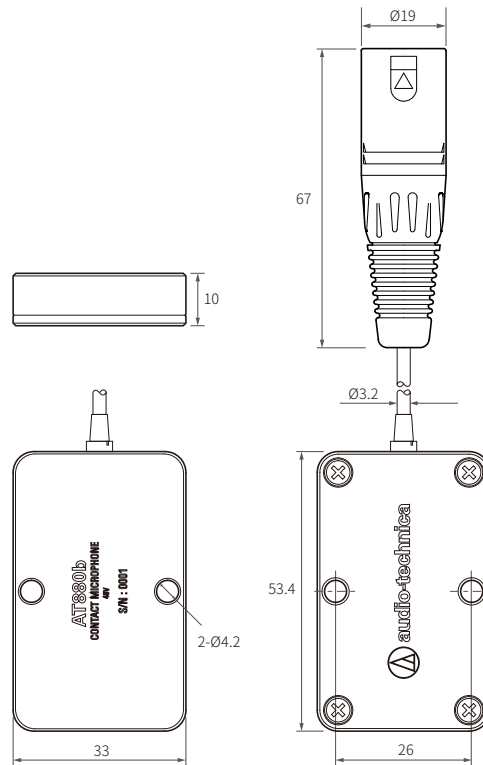
Polar pattern



Frequency response



Dimensions



(Unit : mm)

Audio-Technica Corporation
 2-46-1 Nishi-naruse, Machida, Tokyo 194-8666, Japan
 ©2017 Audio-Technica Corporation
 Global Support Contact: www.at-globalsupport.com



规格

元件	压电感应式
指向性	表面接触
频率响应	20 - 5,000Hz
开路灵敏度	72mV/G (-22.9dBV/G) 于 500Hz
阻抗	108欧姆 (典型)
幻象供电	直流48V, 3.5mA
重量	37克 (话筒)
尺寸	10mm × 53.4mm × 33mm (高×宽×深)
连接线	25米长白色连接线
输出接口	3针 XLR-M 型 (连接线)

1 帕 = 10 达因 / 平方厘米 = 10 微巴 = 94 dB SPL
 *典型, A 计权, 使用 Audio Precision System One
 因产品改进, 本产品会随时改装, 恕不另行通知。

感谢您购买本产品。在使用产品之前, 请全文浏览本用户手册以确保您将正确地使用本产品。请妥善保存本手册, 以供将来参考。

产品特点

- 表面接触压电式话筒
- 能用于水中、平面震动等多用途话筒。在防水的金属盒内装有压电感应元件
- 使用幻象供电, 内部设有前置放大器, 即使输入端为低阻抗, 而使用长电缆连接也能传送清晰的信号
- 固定的25米长连接线规格, 话筒内置专用的供电模组
- 铝质切割外壳, 具有良好的抗腐蚀和防水性能, 并能有灵敏的振动传导性
- 薄型设计, 可放置在细小狭窄空间收音, 以实现不显眼隐蔽性
- 话筒设有安装孔, 可以使用螺丝固定安装, 以提高安全性

使用注意事项

AT880b 是一款具防水性的接触式话筒, 适用于水下收音或紧贴在平面上, 接收物件震动时产生的声音。

内部设有高灵敏度的压电感应器, 装置在坚固的铝金属外壳机身中, 具有良好的抗腐蚀和防水性能。AT880b的金属外壳以薄型设计, 厚度仅有10mm, 能放置在细小狭窄空间操作, 并可以使用螺丝固定安装。

话筒配有长25米的连接线, 便于于远距离的安装。话筒内部并设有前置放大器, 即使应用低阻抗输入端的器材, 在长距离连接时也能传送清晰的信号。

AT880b话筒需使用48V幻象供电。

把话筒暴露于高温中可能导致输出电平逐渐及永久性减弱, 应避免将话筒留在日晒的地方或长时间置于温度超过43°C的地方。

安全预防措施

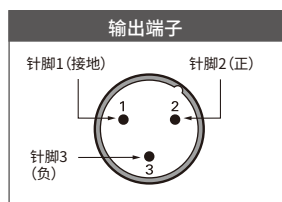
虽然本产品采用安全设计, 但使用不当仍可能发生事故。为了确保安全, 使用本产品时请注意全部警告和提醒。

本产品注意事项

- 切勿让本产品遭受强烈冲击, 以避免发生故障。
- 切勿拆开、改装或尝试维修本产品。
- 切勿用湿手握持本产品, 以免触电或受伤。
- 切勿将本产品存放在阳光直射的地方、加热装置附近或者炎热的地方。

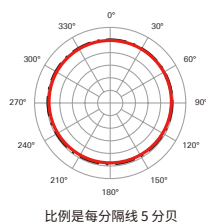
连接步骤

AT880b 内置供电模组, 输出端子需连接到具有兼容幻象电源的话筒输入 (平衡输入) 的设备。输出接口是 XLR-M 型接口, 其极性如下图所示。



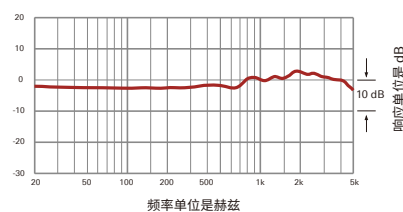
本产品使用直流 48V 幻象电源。

指向性



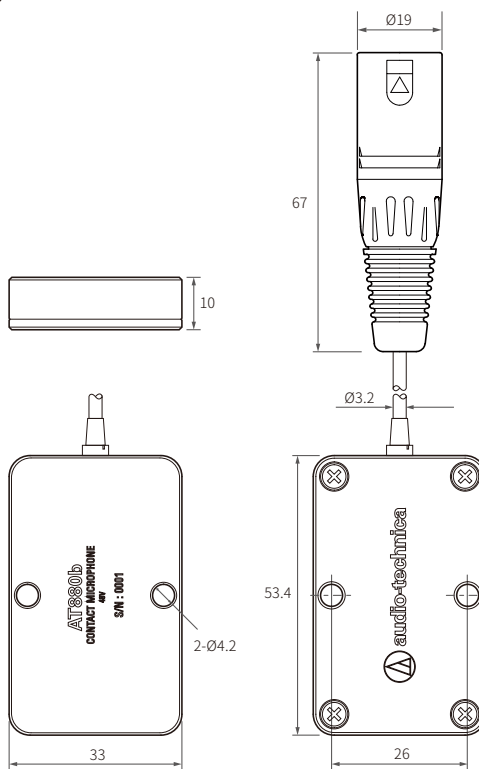
图例
 200Hz
 3kHz

频率响应



图例
 0°, 50 厘米

尺寸



(单位: 毫米)